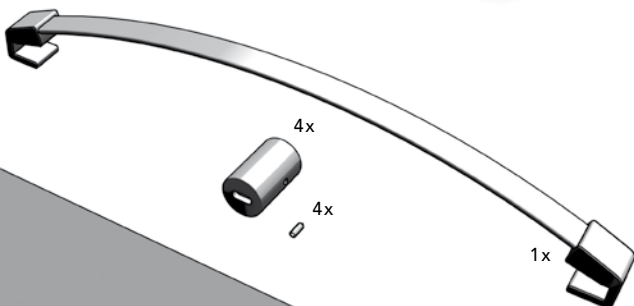


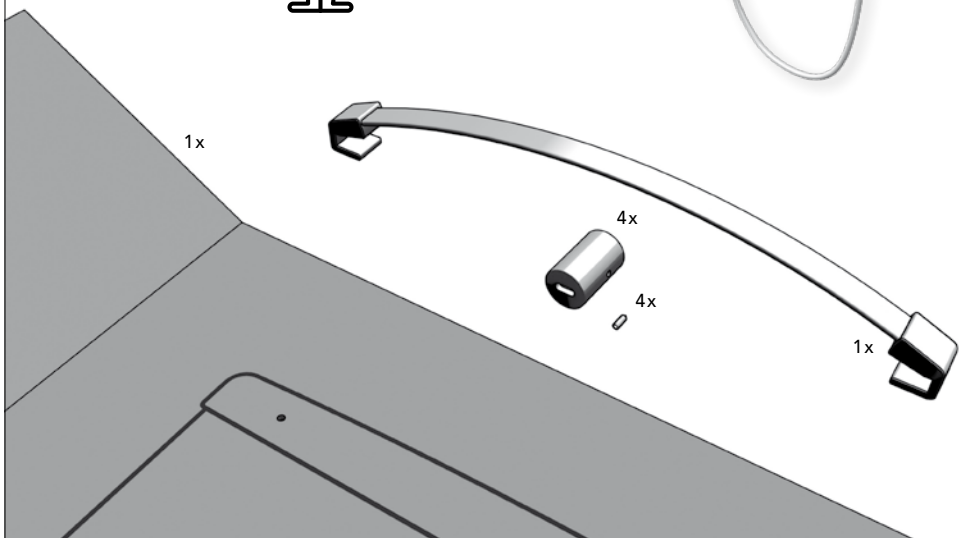
1x




4x

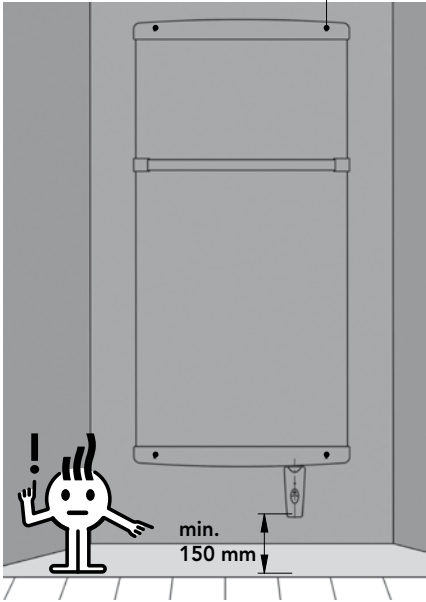
4x

1x

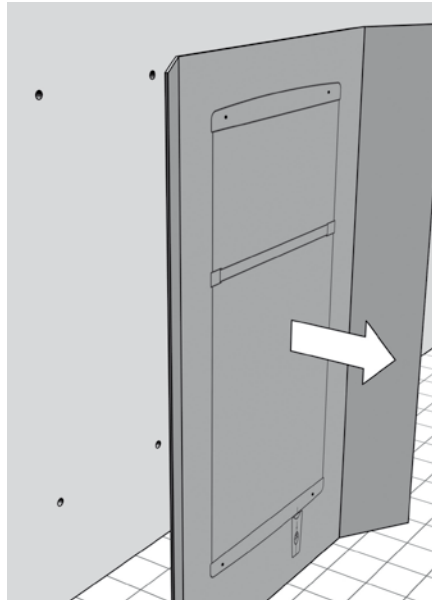


1

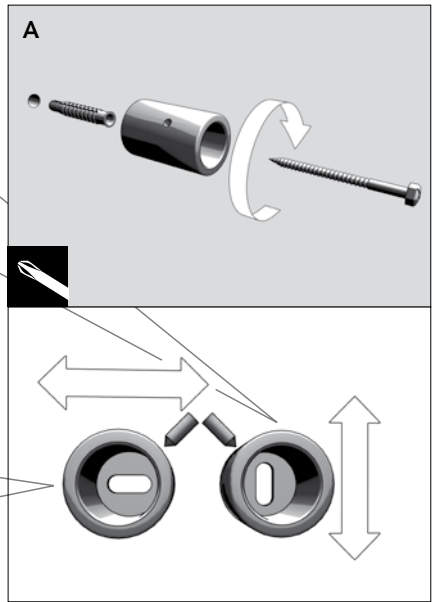
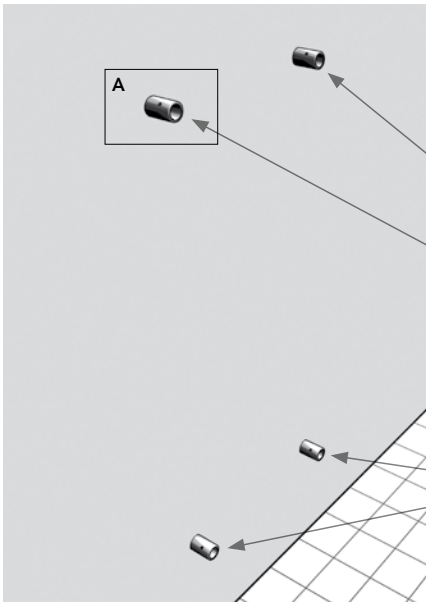
4x 



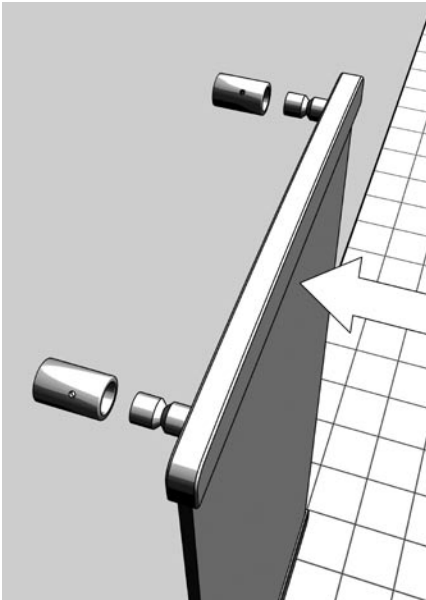
1a



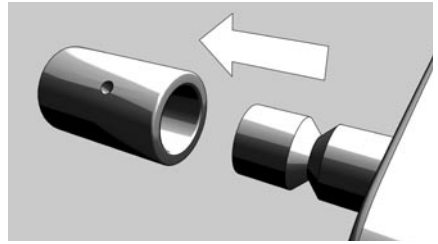
1b



2



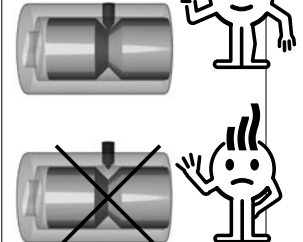
2a



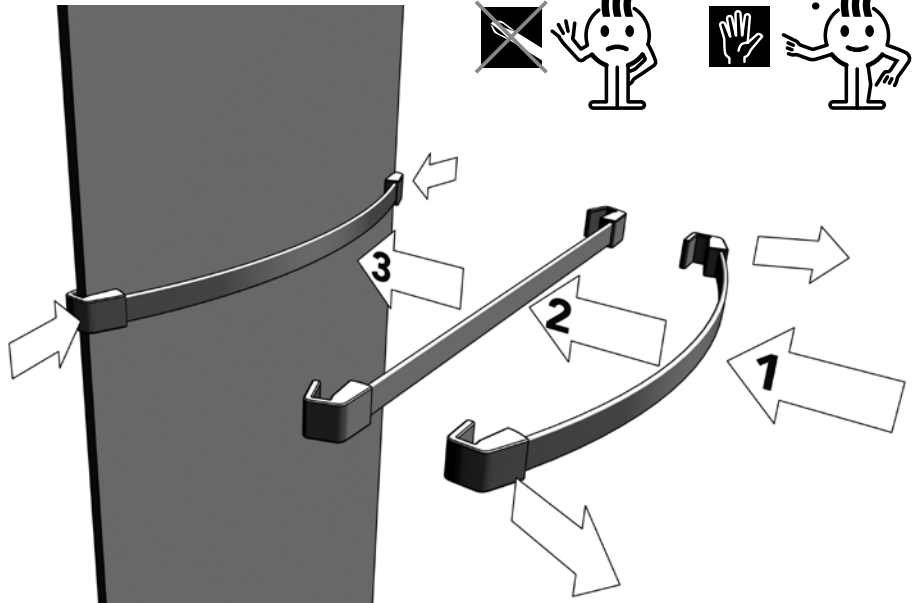
2b



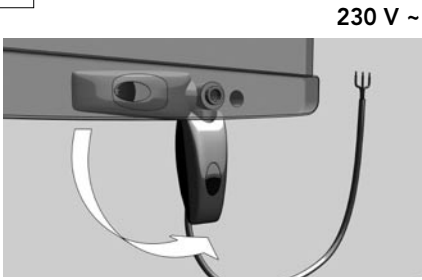
2c



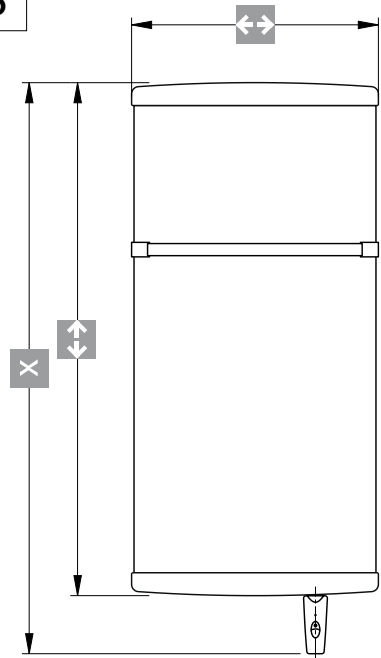
3



4



5



[mm]	[mm]	[mm]	[W]	[kg]
510	1060	1180	250	18
610	1260	1380	500	24
510	1750	1870	750	26
610	1860	1980	1000	33

6

